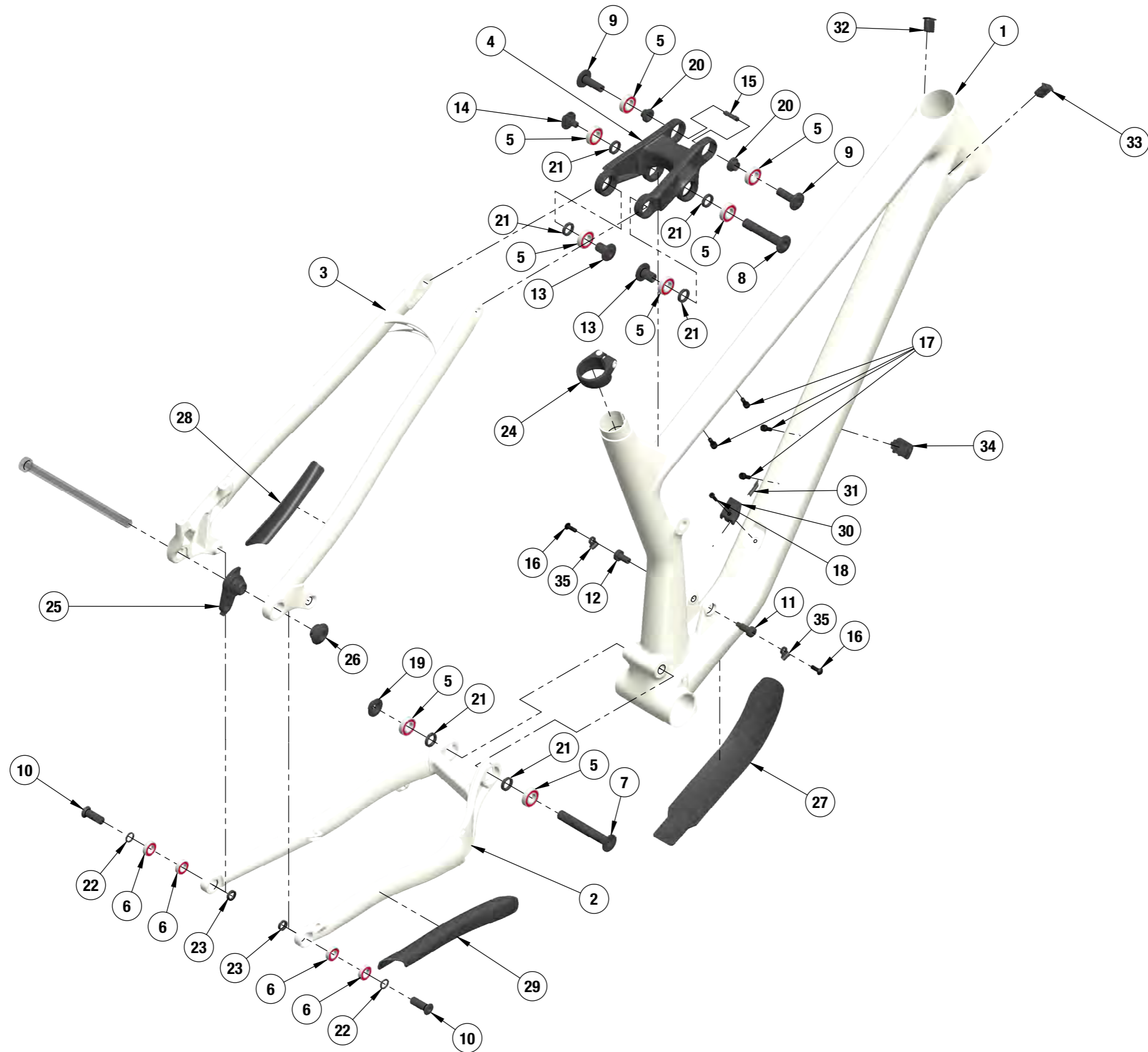




OPTIC

FRAME ASSEMBLY & SERVICE PARTS REFERENCE



BILL OF MATERIALS



ITEM NO.	SERVICE PART NUMBER	QTY.	DESCRIPTION	MATERIAL	TORQUE
1	CONTACT CUSTOMER SERVICE	1	FT, OPTIC, MY20	CARBON	
2		1	CS ASSY, OPTIC MY20	ALUMINIUM	-
3		1	SS ASSY, OPTIC MY20	ALUMINIUM	-
4		1	LA, OPTIC, MY20	ALUMINIUM	-
5	913200-6901-EM	8	6901-LLU ENDURO MAX BEARING, 12X24X6MM	ALLOY STEEL	-
6	913200-6800-EM	4	6800-LLU ENDURO MAX BEARING, 10X19X5MM	ALLOY STEEL	-
7	913500-012	1	SHAFT, DIA12, L82.5, M12X1.25, HEX6	7075-T6	-
8	913500-022	1	SHAFT, DIA12, L63.5, M8X1.25 INT, HEX6	7075-T6	-
9	913800-027	2	SHAFT, DIA10, L29.25, M6X1 INT, HEX6	7075-T6	8 Nm
10	913500-007	2	SHAFT, DIA10, L28, M10X1.5, HEX5	7075-T6	10 Nm
11	913800-029	1	SHAFT, DIA8, L15, M6X1, HEX5	AISI 316 SS BAR	-
12	913800-030	1	SHAFT, DIA8, L15, M6X1 INT, HEX5	AISI 316 SS BAR	8 Nm
13	913400-010	2	BOLT, M12X1.25, L17, HEX6	7075-T6	12 Nm
14	913700-008	1	BOLT, M8X1.25, L13, HEX5	7075-T6	10 Nm
15	913800-028	1	STUD, DIN972, M6X1, L23, STEEL	AISI 4130N STEEL	-
16	913400-041	2	M5X14MM BUTTON HEAD CAP	STEEL, BLACK CHROMATE	-
17	913400-021	4	M5X12MM SOCKET HEAD CAP	STEEL, BLACK CHROMATE	3 Nm
18	913400-030	1	M4X12MM LOW HEIGHT SOCKET HEAD CAP	STEEL, BLACK CHROMATE	3 Nm
19	913700-002	1	NUT, M12X1.25, L7, HEX15	7075-T6	12 Nm
20	913800-006	2	TOPHAT, ID10, OD12, L3.5	AISI 316 SS BAR	-
21	913300-010	6	SPACER, ID12, OD18, L3.5	7075-T6	-
22	913300-009	2	SPACER, ID10, OD14, L3.5	7075-T6	-
23	913300-008	2	SPACER, ID10, OD14, L2	7075-T6	-
24	915000-002	1	NORCO SEATPOST CLAMP, 34.9mm	ALUMINIUM	5 Nm
25	913015-006	1	RD HANGER, 2 PIECE, UDH V2, M12X1.75	ALUMINIUM	-
26	913020-004	1	RD HANGER, 2 PIECE, UDH BOLT V2, M12X1.75	7075-T6	20 Nm, Left Hand
27	915100-009	1	DT GUARD, OPTIC MKII	POLYURETHANE	-
28	915300-001	1	SEATSTAY GUARD, SIGHT MKIII ALLOY, MY16	POLYURETHANE	-
29	915200-007	1	CHAINSTAY GUARD, SIGHT ALLOY MKIII, MY16	POLYURETHANE	-
30	914100-015	1	GIZMO2, TWO POSITION CABLE COVER	NYLON	-
31	914100-017	1	GIZMO2, 4mm REDUCER PORT	NYLON	-
32	914100-027	1	GIZMO3, 2P, 5mm & 6mm	EPDM RUBBER	-
33	914100-037	1	GIZMO3, 2P, 5mm & BLANK	EPDM RUBBER	-
34	914100-029	1	GIZMO, DT CABLE TIE GROMMET	EPDM RUBBER	-
35	914100-036	2	YF SINGLE CABLE P-CLIP	PLASTIC	-

ADDITIONAL FRAME INFORMATION

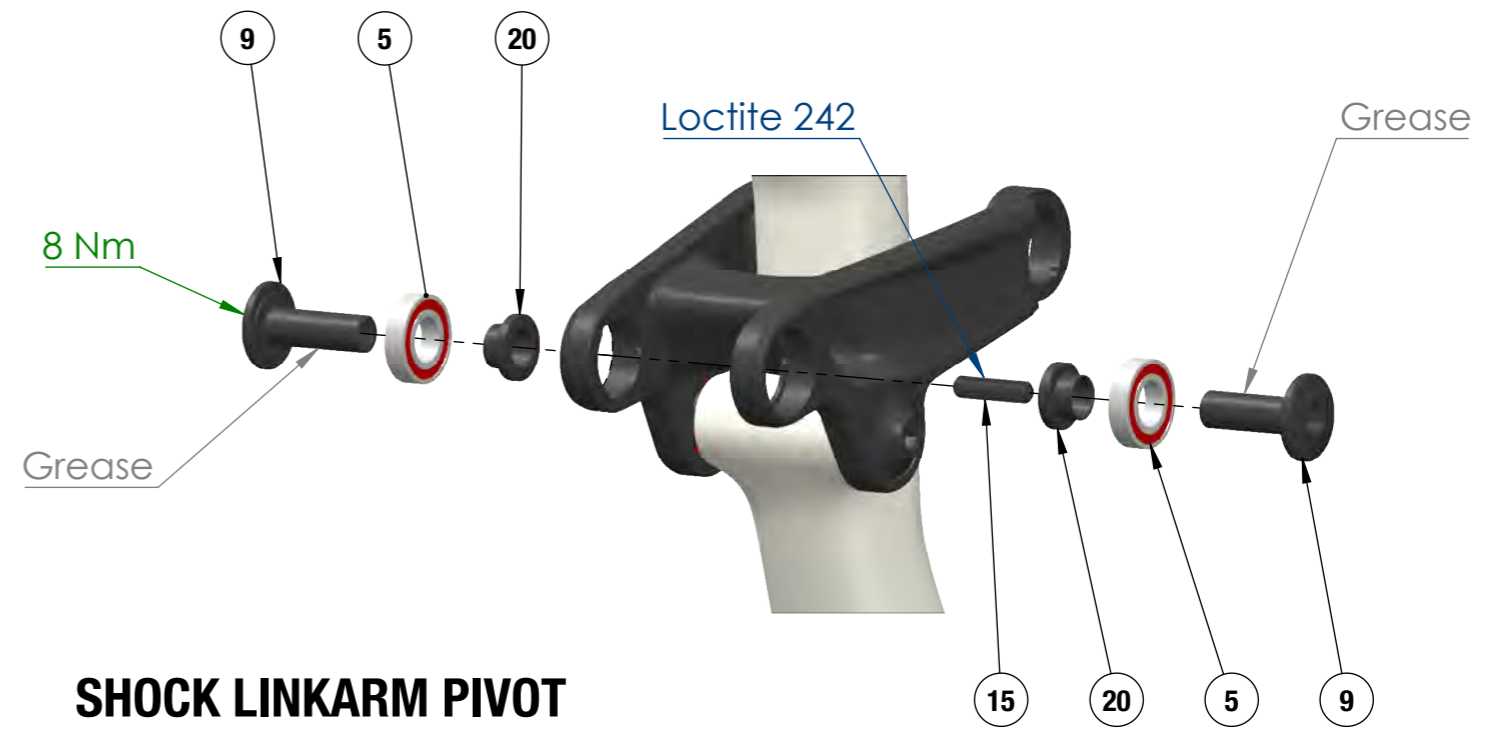
AVAILABLE FRAME SIZES	S, M, L, XL
WHEEL SIZE	29"
S.H.I.S.	ZS44/28.6 ZS56/40
MAX. FORK LENGTH, OFFSET [mm]	561, 42
BB TYPE, WIDTH [mm]	PRESS FIT, 92
MAX CHAINRING SIZE	34
OLD [mm]	148
REAR BRAKE MOUNT [mm]	160, POST
SEATPOST DIAMETER [mm]	31.6
RECOMMENDED TIRE SIZE [IN.]	29" X 2.35" - 2.6"
SHOCK DIMENSIONS [LENGTH, STROKE] [mm]	190, 45
SHOCK HARDWARE - BODY (W X ID) [mm]	40 X 10
SHOCK HARDWARE - SHAFT (W X ID) [mm]	20 X 8
REAR AXLE TYPE	TA 12mm L174/TL18/M12X1.75
ISCG 05 MOUNTS	YES

ADDITIONAL SERVICE PARTS

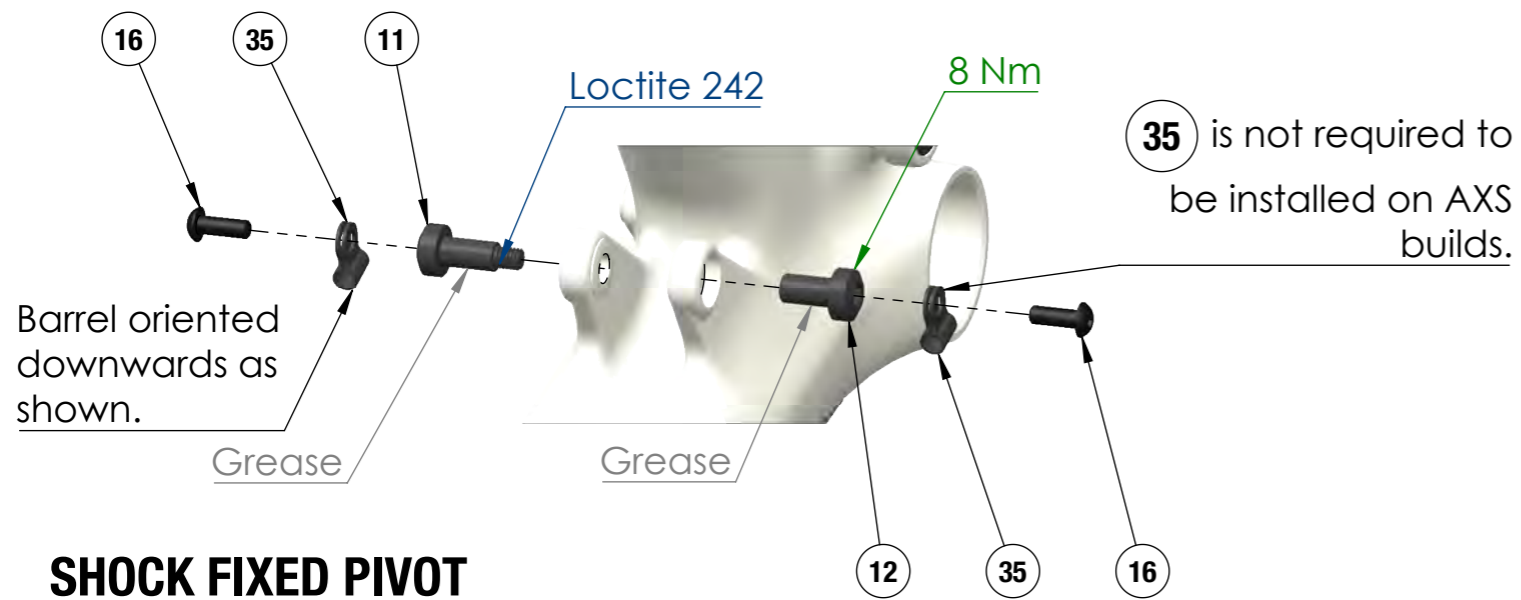
ITEM NO.	SUPPORT PART NUMBER	QTY.	DESCRIPTION
1	914100-028	1	GIZMO3, 2P, BLANK



LINKARM FIXED PIVOT

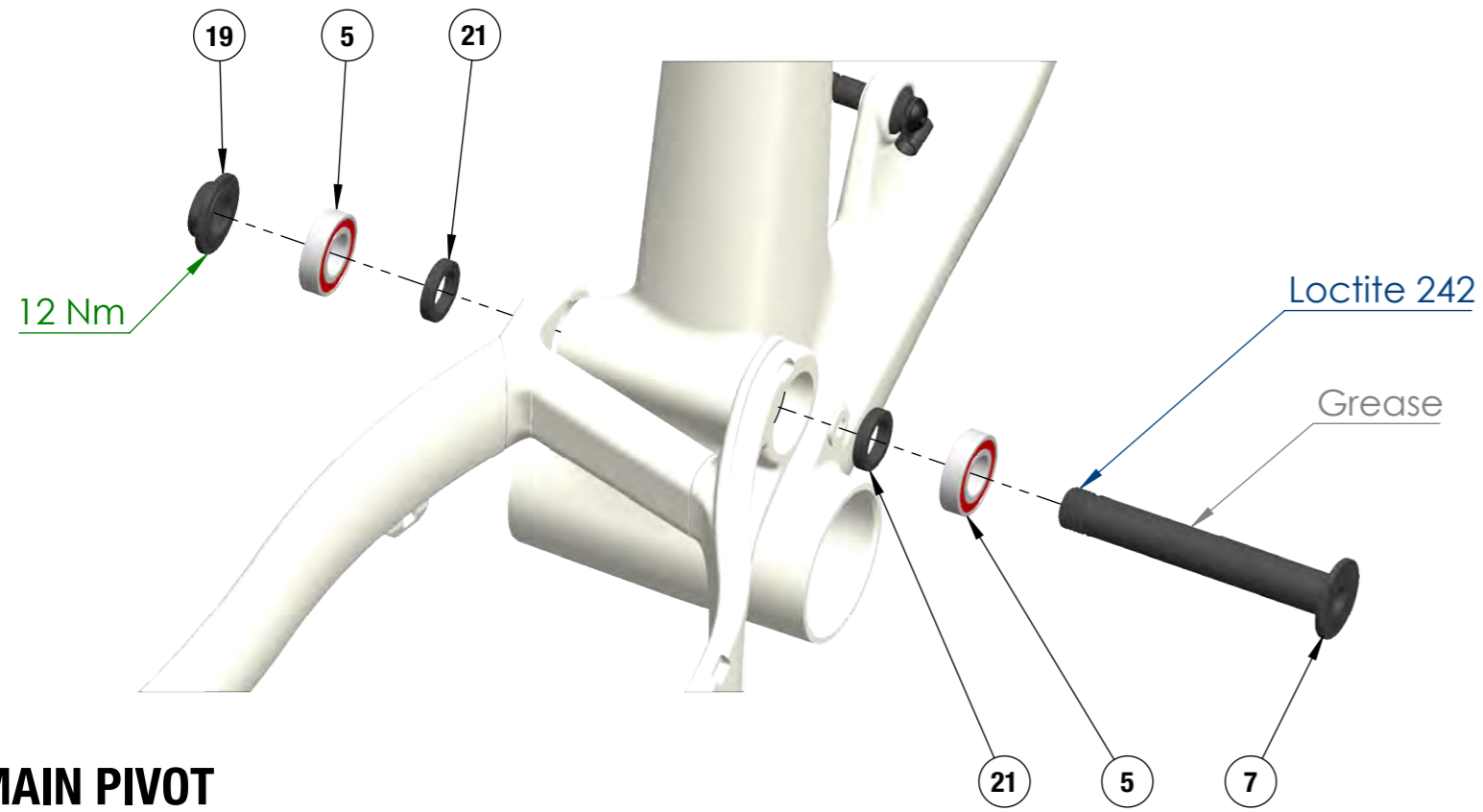


SHOCK LINKARM PIVOT

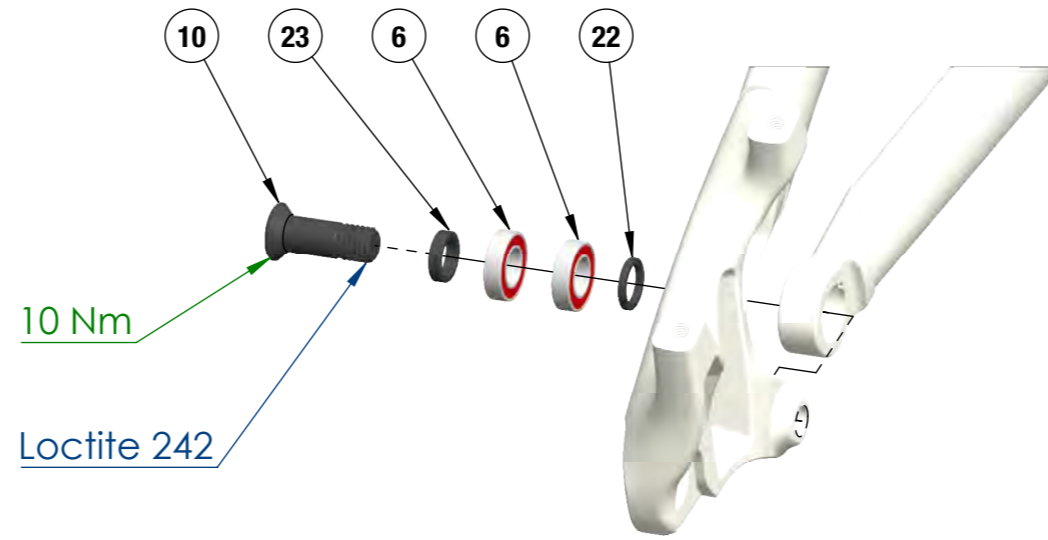


SHOCK FIXED PIVOT

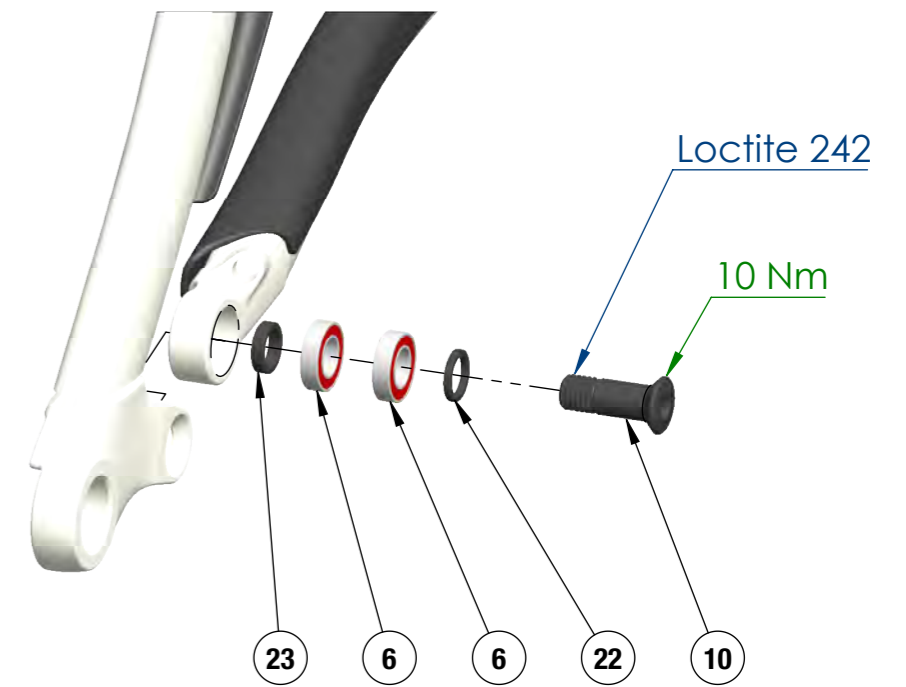
Note: Use Loctite 242 or equivalent medium strength threadlocker where indicated.

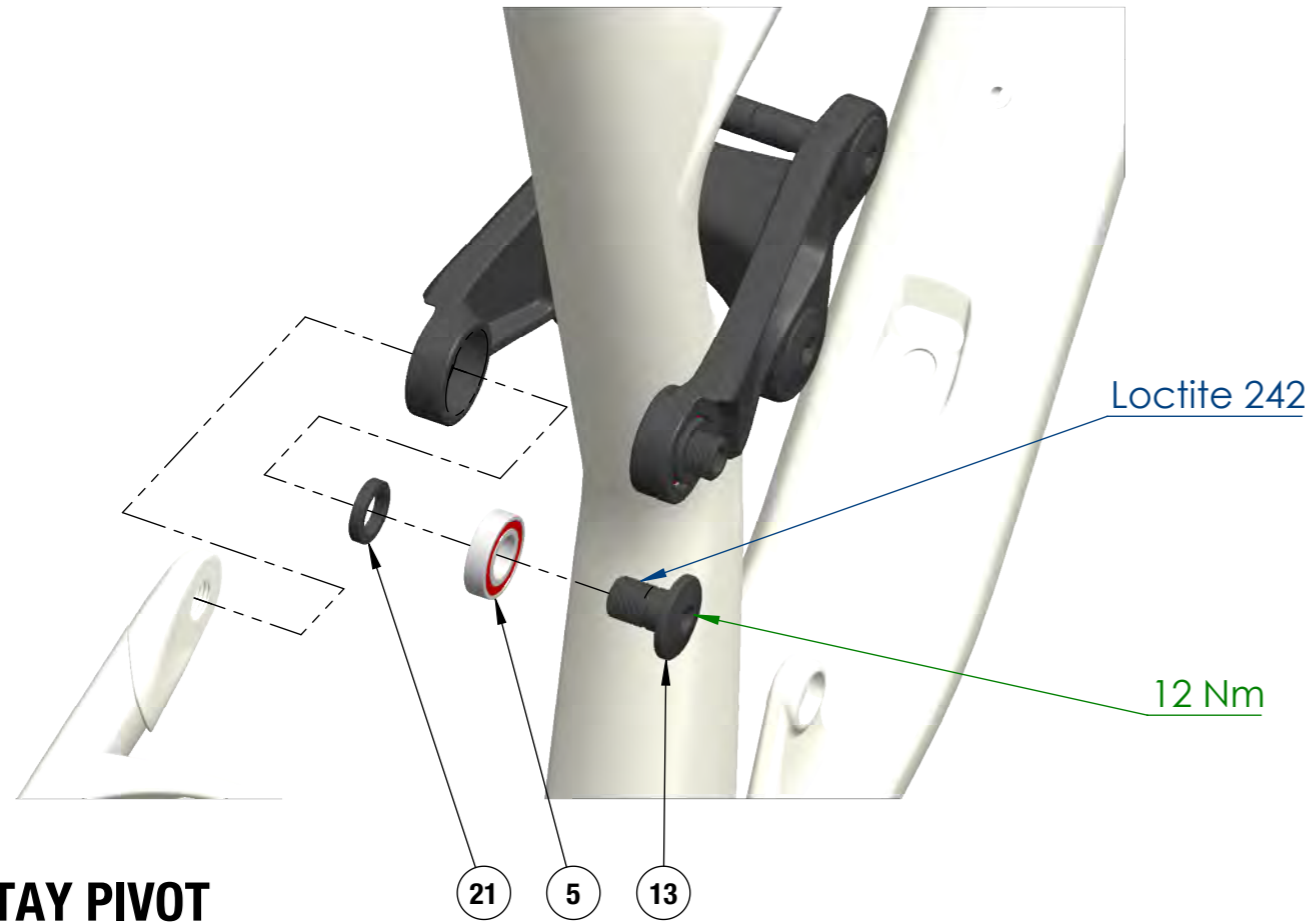


MAIN PIVOT

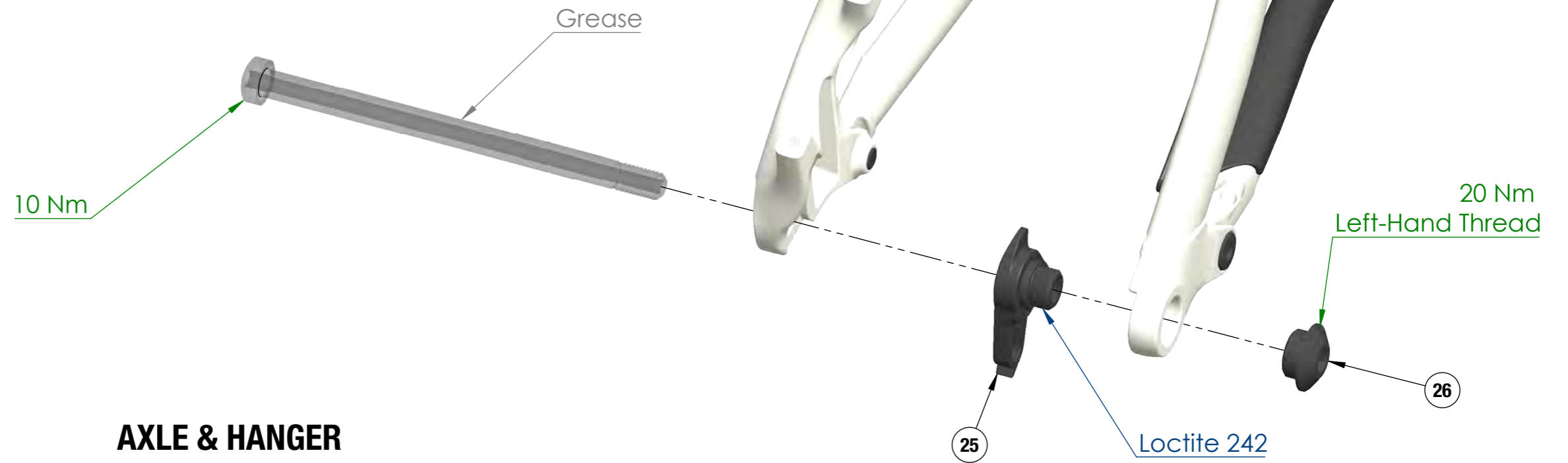


HORST PIVOT

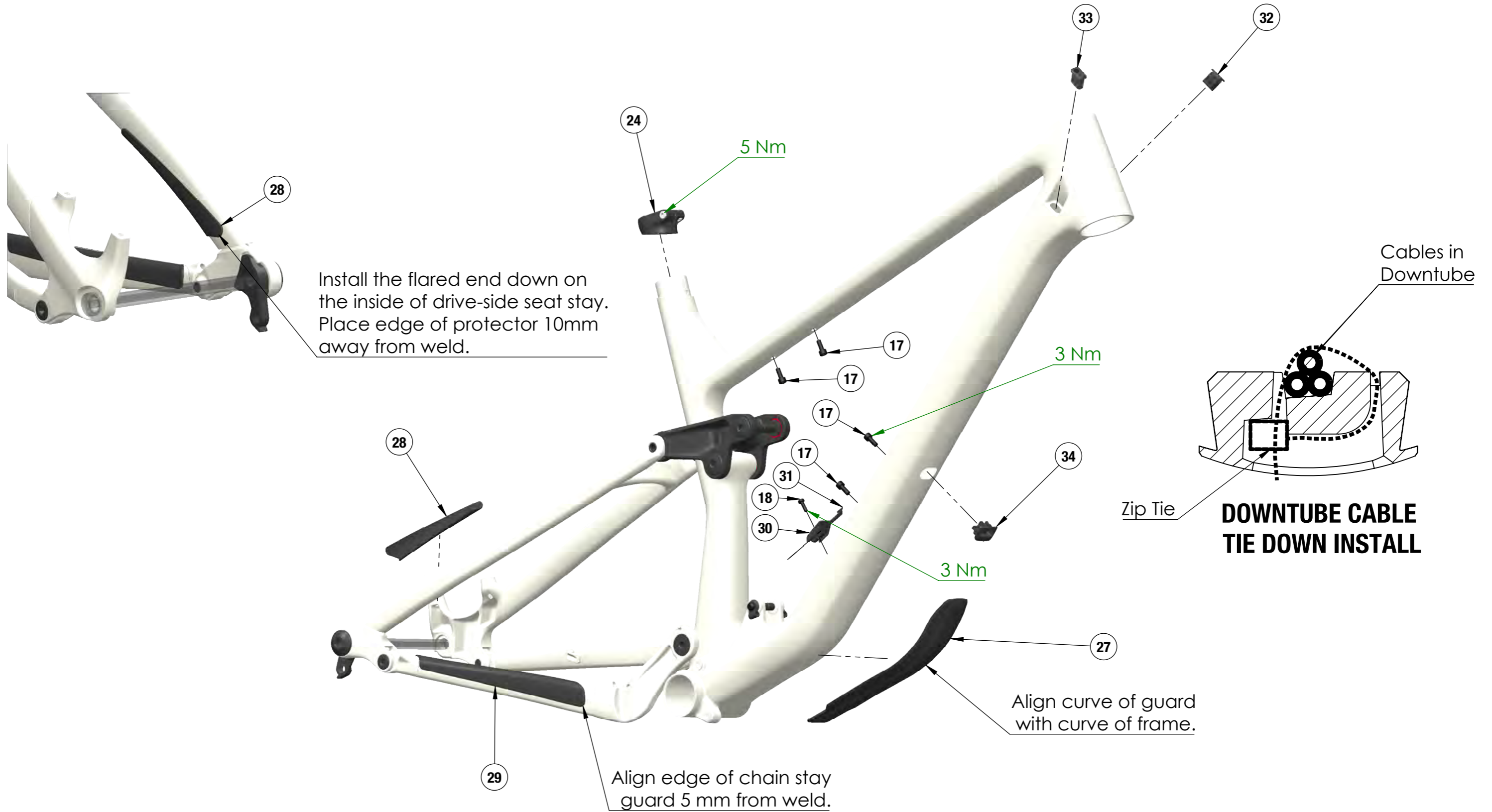


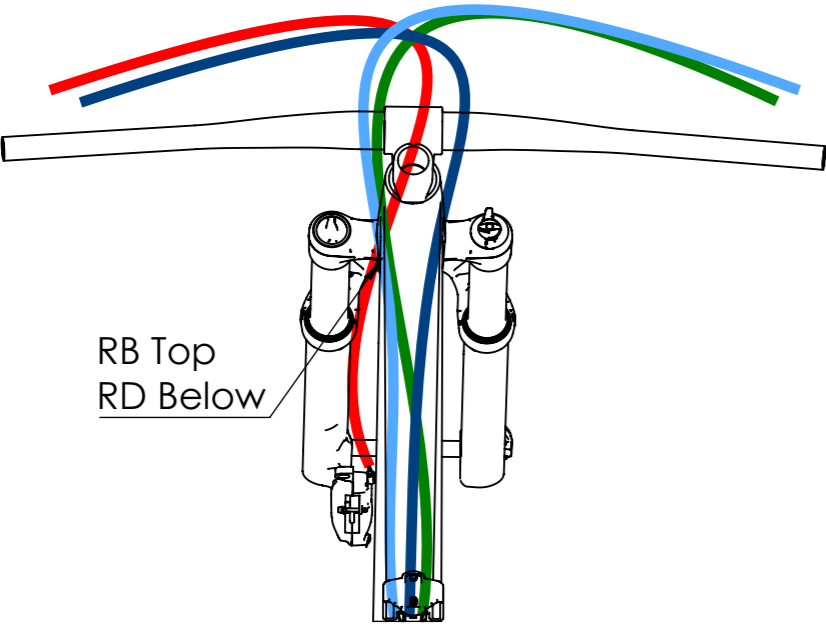


SEATSTAY PIVOT
SAME ARRANGEMENT ON BOTH SIDES

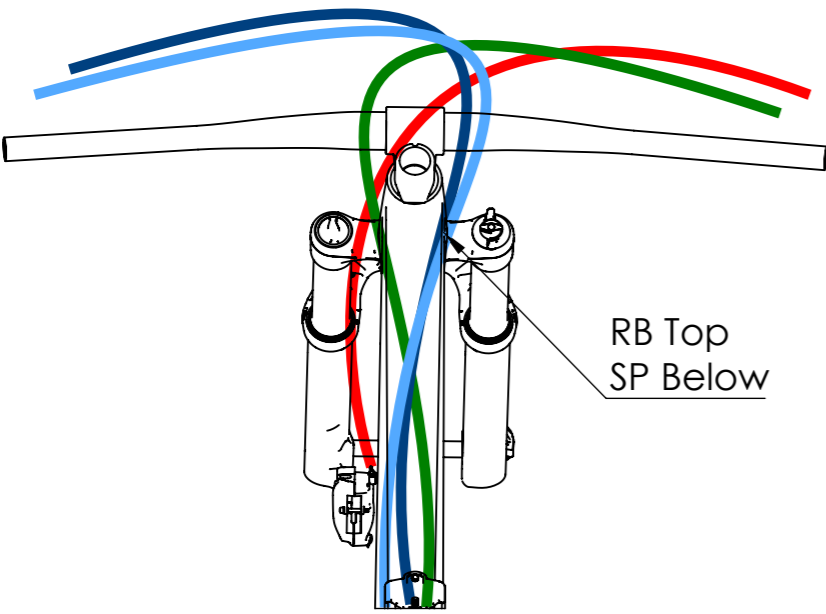


AXLE & HANGER

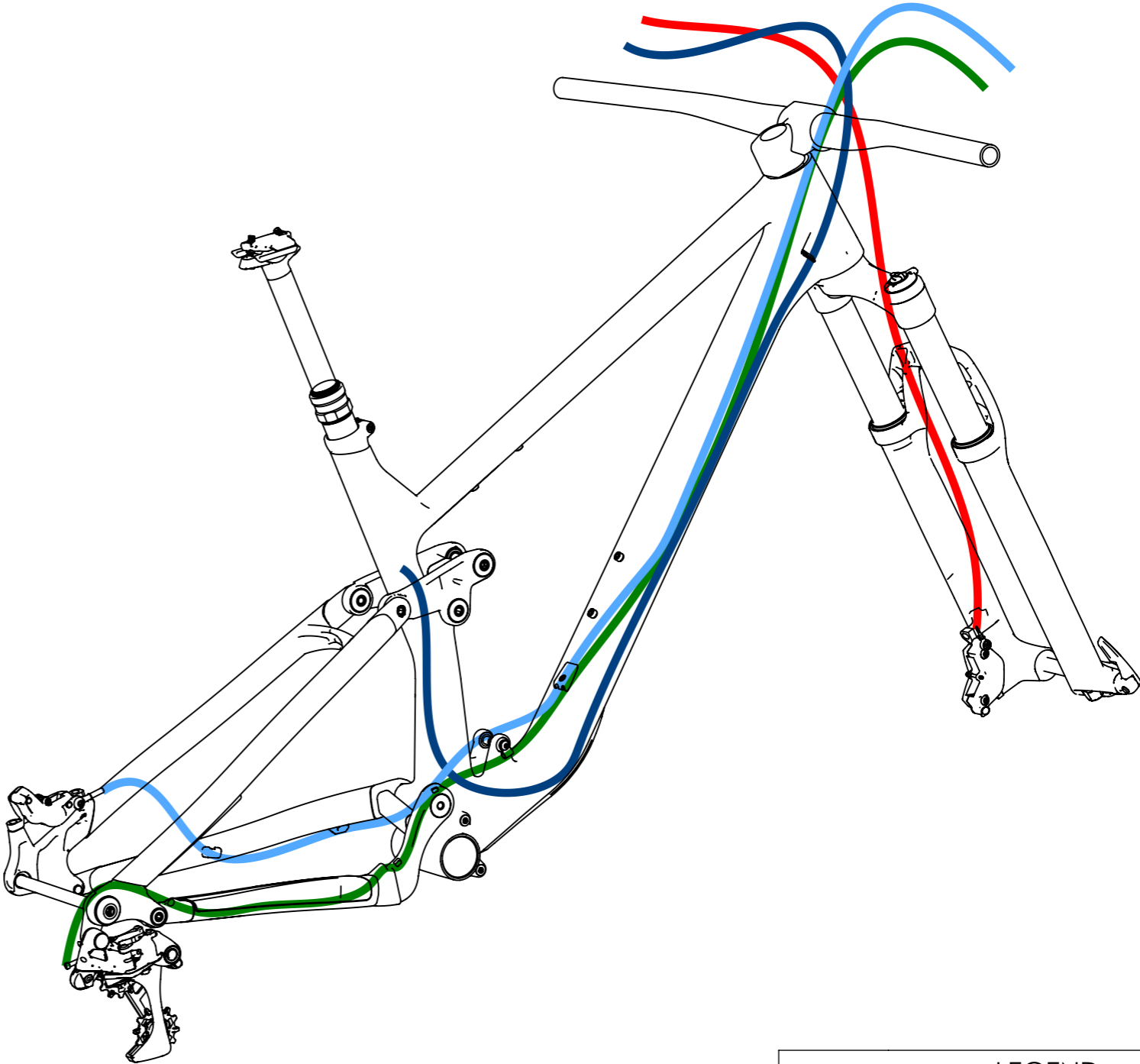




STANDARD LAYOUT



SELECT INTERNATIONAL LAYOUT



LEGEND	
	Front Brake Hose (FB)
	Rear Brake Hose (RB)
	Rear Derailleur Cable (RD)
	Seatpost Cable (SP)