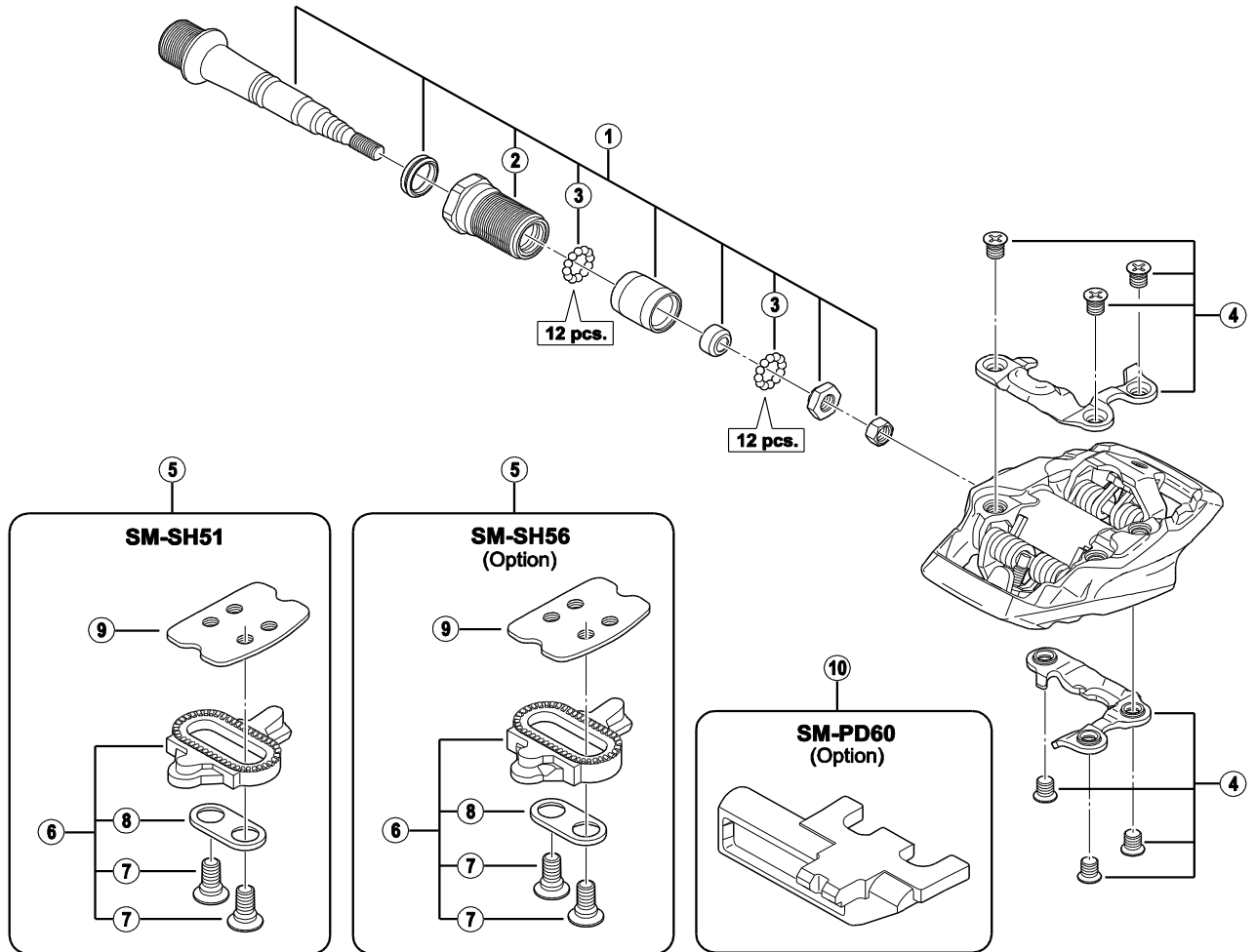


DEORE XT SPD Pedals PD-M785



| ITEM NO. | SHIMANO CODE NO. | DESCRIPTION | INTERCHANGEABILITY | | |
|----------|------------------|--|--------------------|---------|---------|
| | | | PD-M985 | PD-M780 | PD-M530 |
| 1 | Y46L98030 | Pedal Axle Assembly (Right / B.C.9/16" x 20T.P.I.) | | A | |
| | Y46L98020 | Pedal Axle Assembly (Left / B.C.9/16" x 20T.P.I.) | | A | |
| 2 | Y45E98030 | Lock Bolt (Right) | | A | |
| | Y45E98040 | Lock Bolt (Left) | | A | |
| 3 | Y41N98030 | Steel Ball (3/32") 62 pcs. | A | A | A |
| 4 | Y46K98030 | Body Cover (Right) & Fixing Bolts (M5) | | A | A |
| | Y46K98040 | Body Cover (Left) & Fixing Bolts (M5) | | A | A |
| * 5 | Y42498220 | SM-SH51 Cleat Set (Single Release Mode / Pair) | A | A | A |
| * 5 | Y41S98092 | SM-SH56 Cleat Set (Multiple Release Mode / Pair) | A | A | A |
| 6 | Y42498201 | SM-SH51 Cleat Set w/o Cleat Nut (Single Release Mode / Pair) | A | A | A |
| | Y41S98100 | SM-SH56 Cleat Set w/o Cleat Nut (Multiple Release Mode / Pair) | A | A | A |
| 7 | Y41704030 | Cleat Fixing Bolt (1 pc.) | A | A | A |
| 8 | Y42423000 | Cleat Adapter (1 pc.) | A | A | A |
| * 9 | YL0E04000 | Cleat Nut (1 pc.) | A | A | A |
| 10 | Y40Z98010 | SM-PD60 Reflector Unit (Pair/Option) | A | A | A |
| | Y40Z98020 | SM-PD60 Reflector Unit (AS/Pair/Option) | A | A | A |

A: Same parts.

B: Parts are usable, but differ in materials, appearance, finish, size, etc.

Absence of mark indicates non-interchangeability.

Specifications are subject to change without notice.

Apr.-2015-3195B

© Shimano Inc. I

SHIMANO