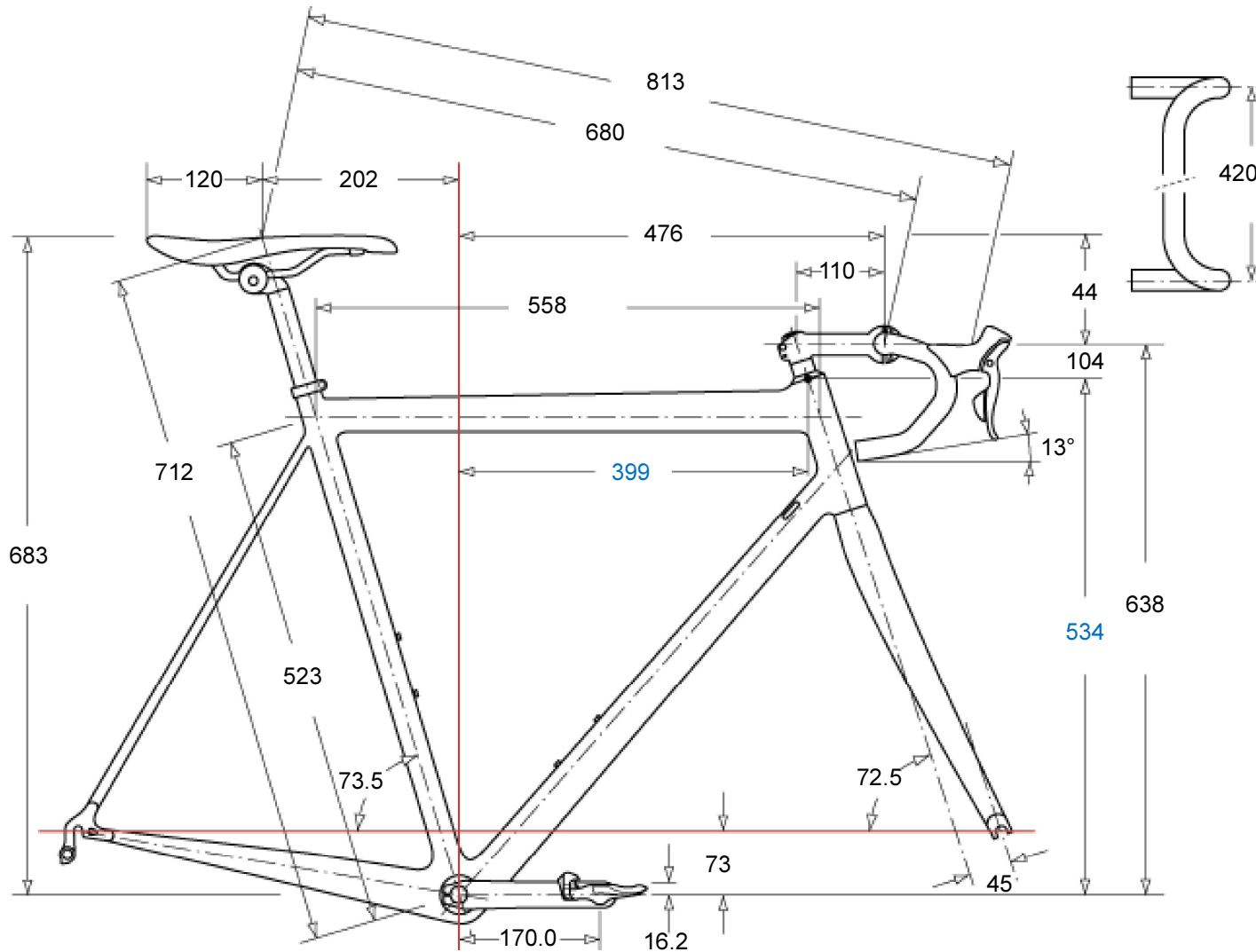


Setup Report - 1

Bike Type	ROAD RACING - SPORT	Company Name	Shimano Nordic Cycle
Customer Name	Thomas Wahlsten	Date	2017-03-04 19:39



Setup Report - 2

Bike Type ROAD RACING - SPORT
Customer Name Thomas Wahlsten

Company Name Shimano Nordic Cycle
Date 2017-03-04 19:39

Description	Original	Static		Dynamic	Diff1	Diff2	PA
		recommend	crank select				
Saddle Center X		202					
Saddle Center Y		683					
Handlebar Center X		476					
Handlebar Center Y		638					

